

Technicolor Internet Modem

Set Up Guide

Before you begin:

> Review contents of your install kit:

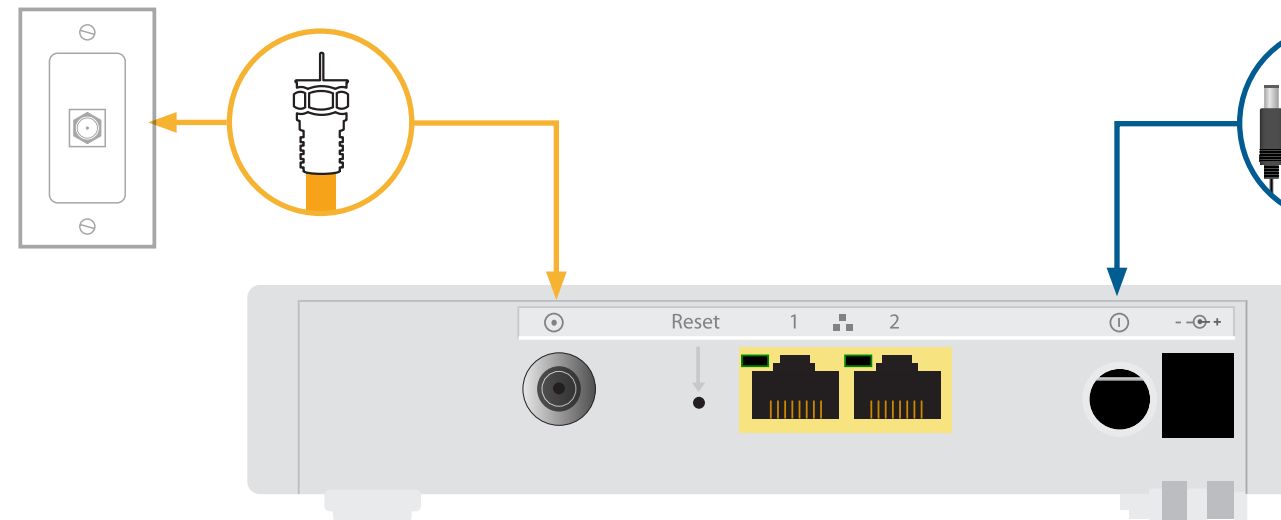
- A coax cable to connect to the network
- An ethernet cable to connect your device
- Technicolor 4400 modem and power cord

> Read through instructions

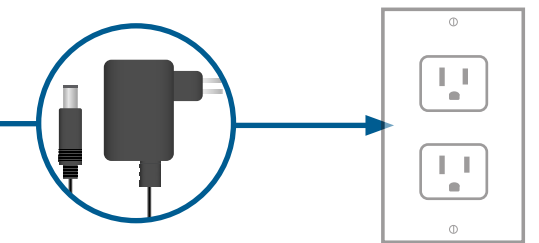
You can find additional self-help resources at distributel.ca/support

Part 1: Connecting the modem

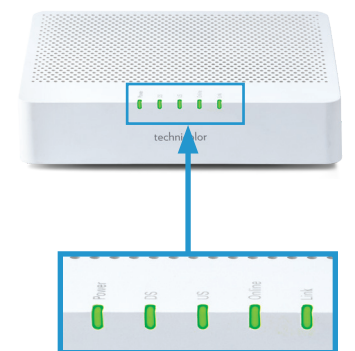
- 1 Connect one end of the coax cable to the 'Cable' port on your modem, then connect the other end of the cable to a nearby coax wall outlet.



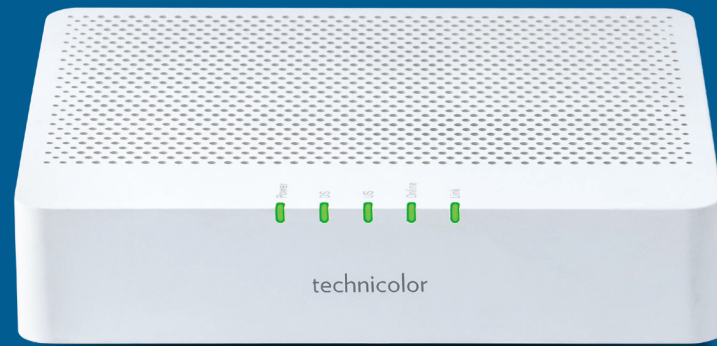
- 2 Attach the power cord to the 'Power' port on your modem and plug into a nearby electrical wall outlet.



- 3 Turn the modem on, and wait until all lights are on (the LINK light may flicker). This can take about 5 minutes.



To connect your devices see instructions on the reverse side of this guide.



Part 2: Connecting your device

Option A: Direct Connection

If you are only connecting to one device, you can connect directly to the modem.

Connect one end of the ethernet cable to the yellow LAN Port '1' on your modem, and the other end to an ethernet LAN port on the device you want to connect.

Option B: Wireless Router

Connecting with a router allows you to connect:

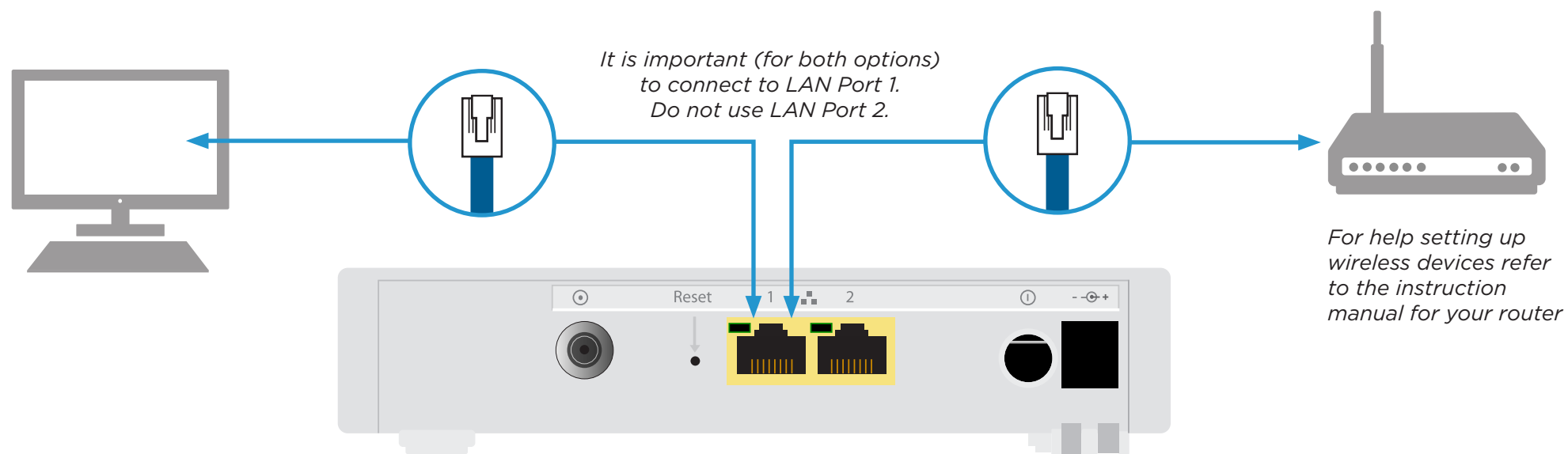
- more than one device
- wireless devices
- devices without an ethernet port

Connect one end of the ethernet cable to the yellow LAN Port '1' on your modem and the other end to the Internet or WAN port on your router.



For information on our products and services, visit distributel.ca

Contact our Customer Support team at **1-877-810-2877**



You should now be ready to enjoy your Distributel High Speed Internet!